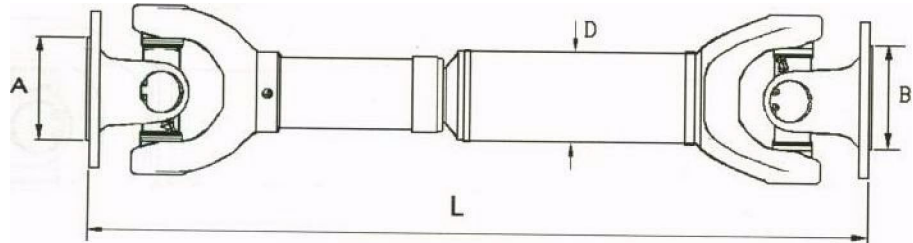


Cardan shafts production (to give only outline types, we can production any Your indicated cardan shaft type).

Type 1  
O

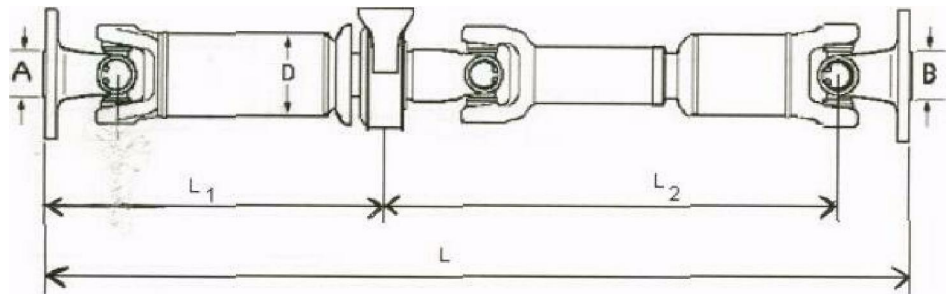
L (mm) =



Type 2  
O

L (mm) =

L1 (mm) =

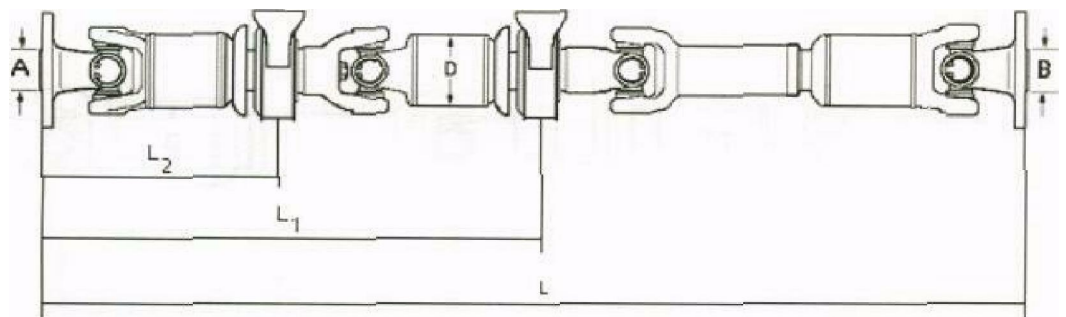


Type 3  
O

L (mm) =

L1 (mm) =

L2 (mm) =

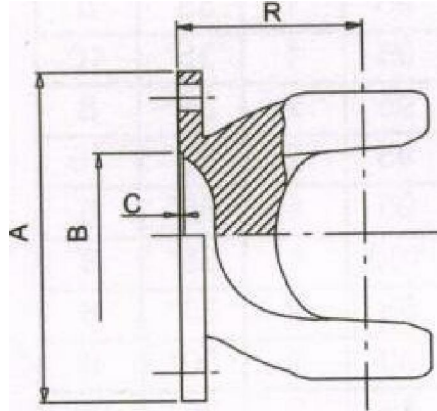


The type of roll flange:

Type A  
O

A (Ø, mm) =

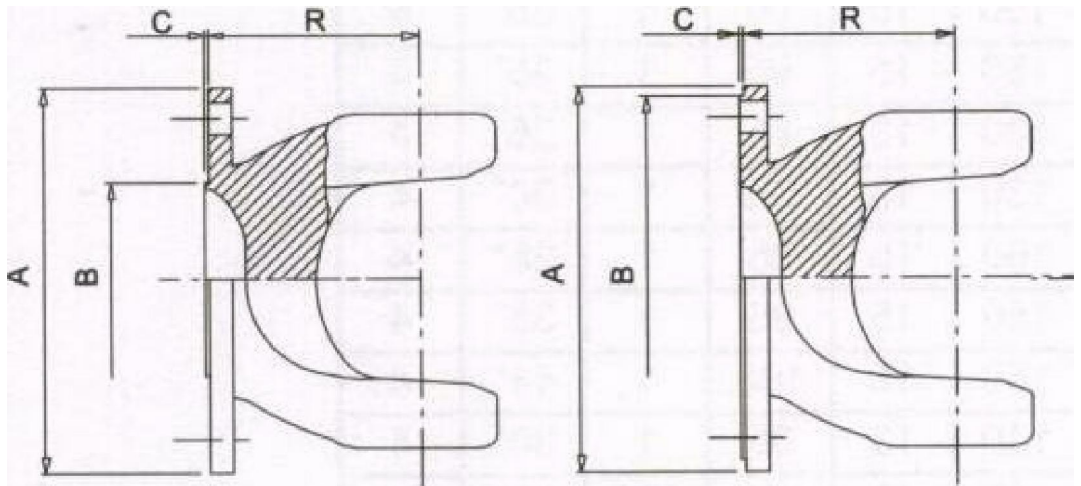
B (Ø, mm) =



Type B  
O

A (Ø, mm) =

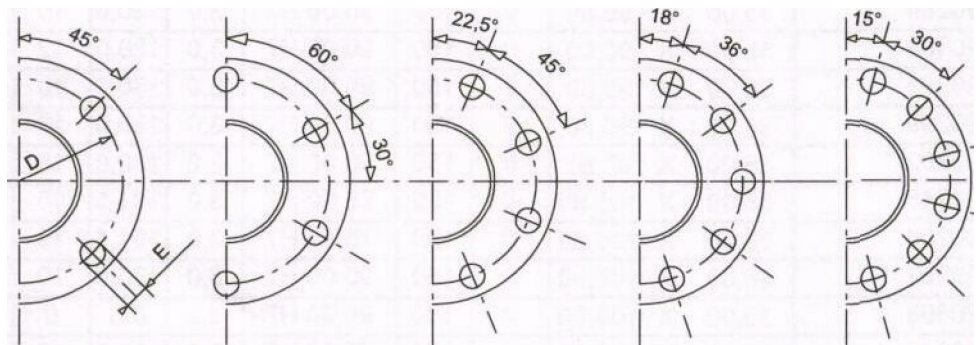
B (Ø, mm) =



Flange number of holes

D (Ø, mm) =

E (Ø, mm) =



O

O

O

O

O

Type C  
O

D (Ø, mm) =

E (Ø, mm) =

